

MULTI-PROBE ELECTRODE TYPE SME 32.

ELECTRODE SME 32

This multi-probe electrode is used mainly for steam boiler applications and houses a maximum of 4 electrodes. These electrodes measure the difference in conductivity between steam and water, each designated to a particular level.

The length of each level measurement point can be adjusted by lengthening or shortening the individual electrode bar. Where the length exceed 1000mm, then the electrode is supplied in two sections with a connection socket. When the electrode bar length exceed 450mm it's supplied with a vibration disc/stay. Installation should be in the vertical position into a socket or flange. Standard connection is 1.1/4" BSP.

The electrode is sealed with a copper gasket. Teflon sealing tape may be used on the threading, however thread protecting lubricants and greases should not be used.

TECHNICAL DATA ELECTRODE SME 32

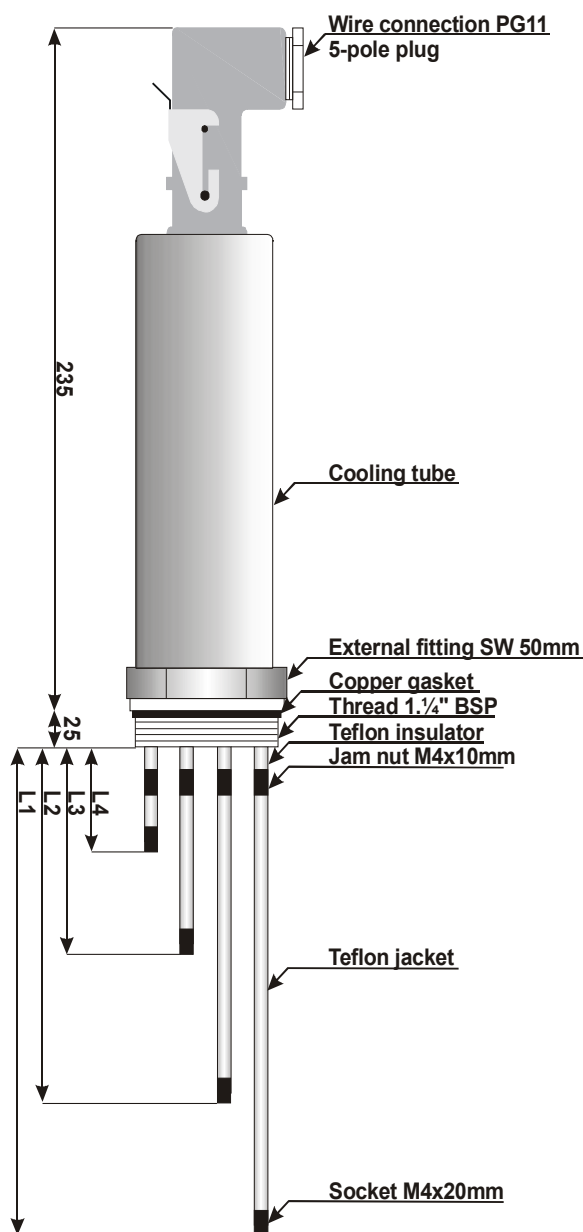
External fitting: SW 50mm grade 1.0718
 Electrode bar Stainless steel grade 1.4305
 Insulator: Teflon PTFE
 Temp. range: Max. +260°C
 Max. Pressure : 64 Bar

Electrode complete No.

SME32.2 max length 1000mm 004024 + length
 SME32.3 max length 1000mm 004025 + length
 SME32.4 max length 1000mm 004026 + length

SPARE PARTS

SP No.	
004027	SME32 Cu gasket
004029	SME32 Electrode bar 1000mm
004030	SME32 Vibration stay
004031	SME32 Socket M4x20mm
004032	SME32 Jam nut M4x10mm
004046	SME32 Overpart plug-in connection



SME 32.x
 Illustrated type = SME32.4