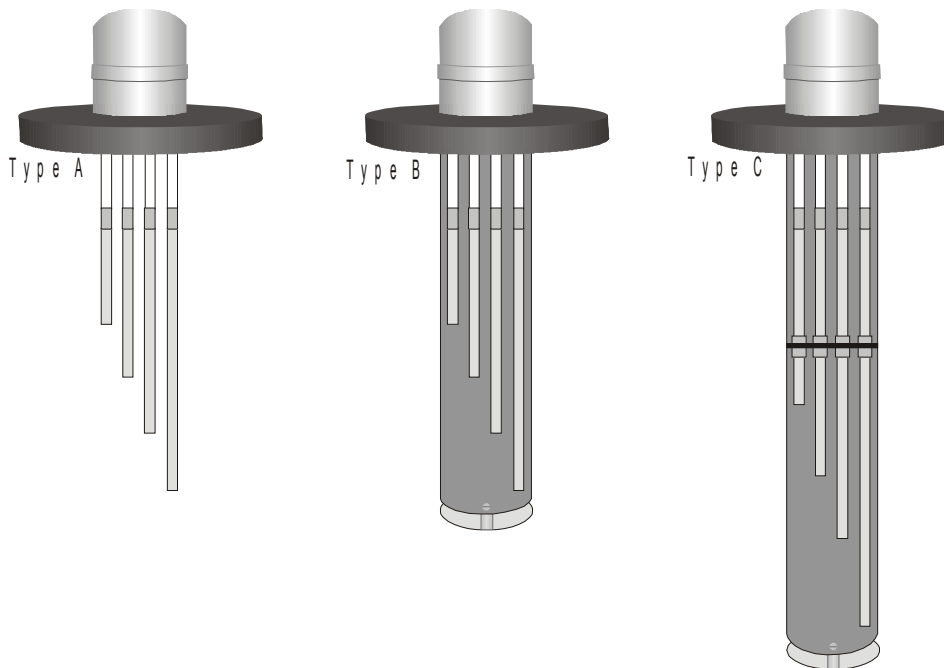


ELECTRODE STAND FOR STEAM BOILERS AND SUPER HEATED BOILERS.



ERAB electrode stand is available in 3 types A - B - C

Type A

Consists of a flange cover, and a blind flange in dimension DN50-DN100 in pressure range PN16 – PN160. The flange is provided with 1 – 6 pcs. electrode thread M14 x 1,25. The electrode stand type A is only used when the boiler is provided with an inside or outside water column.

NUMBERS OF ELECTRODES IN ELECTRODE STAND TYPE A

DN50	DN65	DN80	DN100
1	3	4	6

Type B

Consists of a flange cover, a protection tube dim. 88,9 x 3,2 mm, a splash plate and a blind flange DN100 PN16 – PN160, with 6 pcs. electrode thread. The electrode stand type B is used in boilers, where the length of the electrodes is less than 500mm.

Type C

Consists of a flange cover, a protection tube, a vibration stay, a splash plate and a blind flange DN100 PN16 – PN160, with 6 pcs. Electrode thread. The electrode stand type C is used in boilers, when the length of the electrodes exceed 500mm.